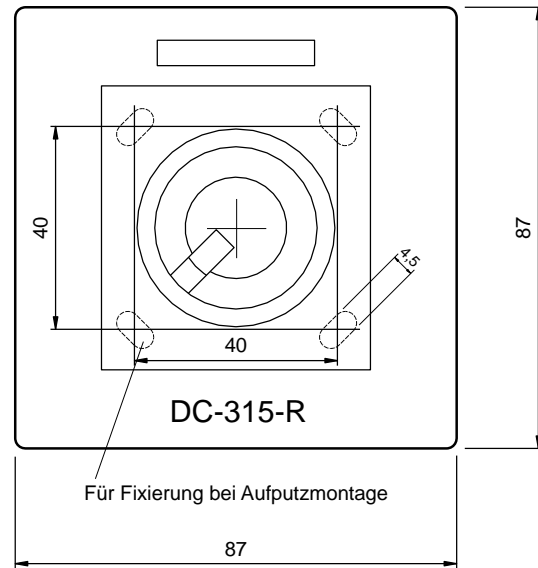


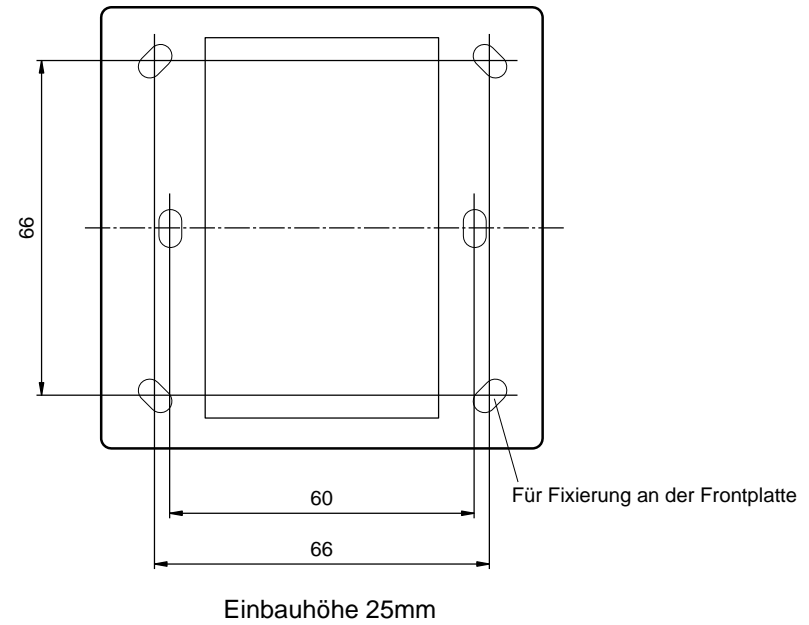
Type	E420 0930
Description	Dimming-Switch for E420 0920/ E420 0921
Input Voltage	AC 180 – 260V
Frequency	50 – 60 Hz
Dimming Output	10V PWM signal
Light Adaptation Range	0% – 100%
Power	Max. 150 W
Operating Temperature	-30°C to +60°C
Operating Humidity	20% to 90% RH
Storage Temperature	-40°C to +80°C
Storage Humidity	10% to 95% RH
Dimensions	87 x 87 x 55mm
Weight	205g (approx.)

LED Dimmer/Schalter E420 0930

Ansicht von vorne



Ansicht von hinten auf die Elektronik



Ansicht von oben

